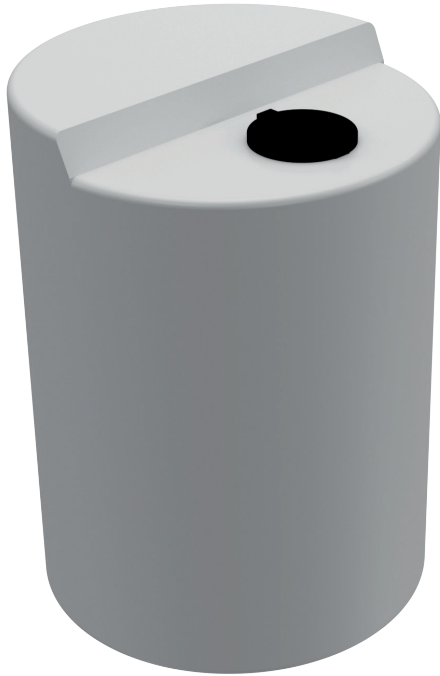
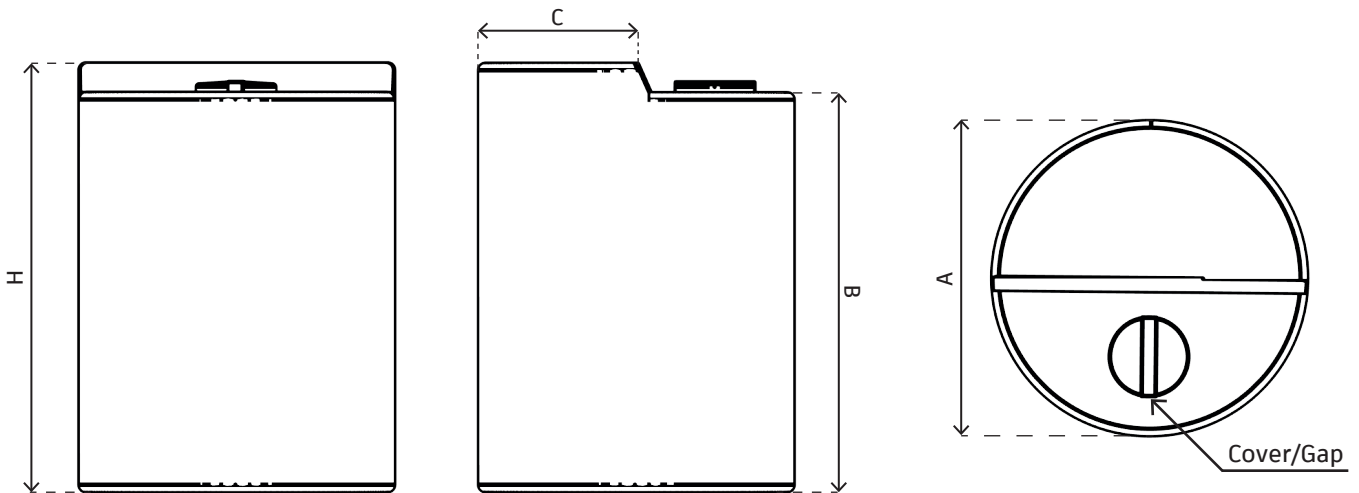


PPE TANK



TECHNICAL SPECIFICATION						
MODEL	VOLUME [l]	A [mm]	B [mm]	C [mm]	H [mm]	COVER/GAP [mm]
MIX 30	30	400	265	140	315	125/110
MIX 60	60	400	490	140	540	125/110
MIX 120	120	500	630	200	680	255/200
MIX 220	220	620	750	250	800	255/200
MIX 325	325	710	840	300	890	255/200
MIX 550	550	875	950	380	1000	255/200
MIX 1070	1070	1100	1150	500	1200	255/200



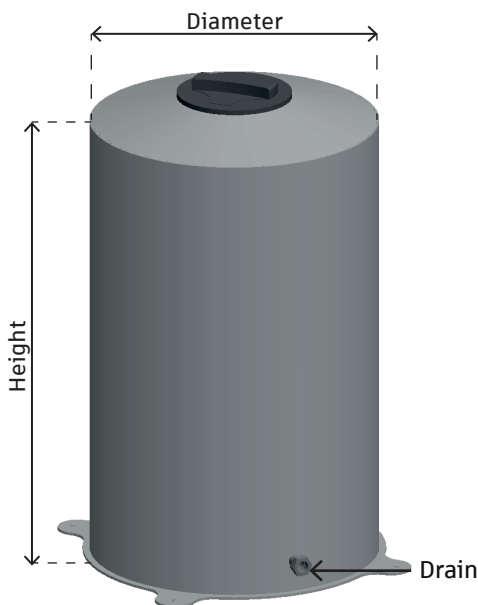
PRECUSOR TANK



TECHNICAL SPECIFICATION

VOLUME [l]	DIAMETER [mm]	TOTAL HEIGHT [mm]
100	570	605

TCP TANK

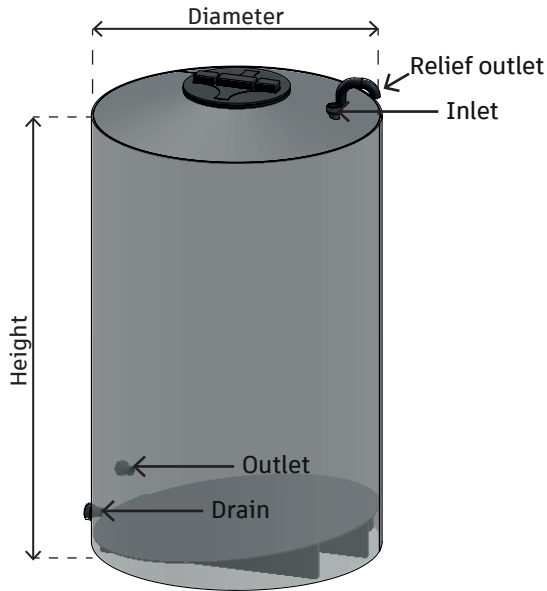


TECHNICAL SPECIFICATION

MODEL	VOLUME [l]	DIAMETER [mm]	HEIGHT [mm]	DRAIN
TCP 1100	1100	980	1,660	3/4"
TCP 1700	1700	1230	1680	3/4"
TCP 2500	2500	1300	2190	1"
TCP 4000	4000	1620	2230	1"
TCP 5700	5700	1950	2270	1 1/2"
TCP 7200	7200	1950	2770	1 1/2"
TCP 8600	8600	1950	3270	DN50
TCP 10100	10100	2110	3295	DN50
TCP 13400	13400	2430	3340	DN50
TCP 15300	15300	2590	3360	DN50
TCP 17200	17200	2750	3390	DN50
TCP 20400	20400	2610	4365	DN50
TCP 25800	25800	2920	4410	DN50
TCP 31800	31800	3240	4460	DN50



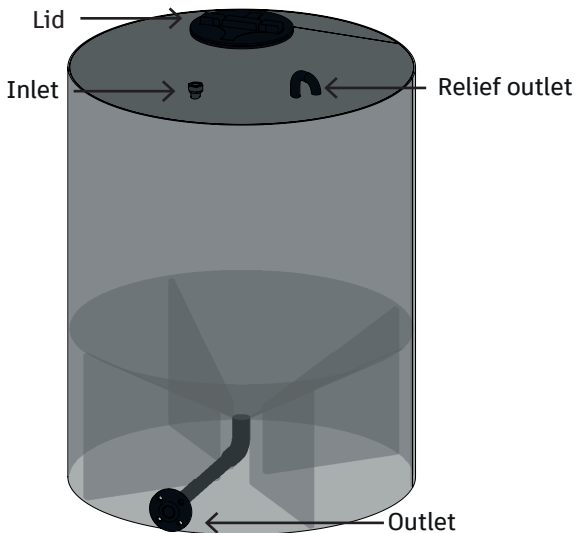
TCI TANK



TECHNICAL SPECIFICATION

MODEL	VOLUME [l]	DIAMETER [mm]	HEIGHT [mm]	CONNECTION
TCI 1000	1000	980	1650	3/4"
TCI 1600	1600	1230	1700	3/4"
TCI 2300	2300	1300	2200	1"
TCI 3800	3800	1620	2250	1"
TCI 5400	5400	1950	2310	1 1/2"
TCI 6800	6800	1950	2800	1 1/2"
TCI 8200	8200	1950	3300	DN50
TCI 9600	9600	2110	3300	DN50
TCI 12800	12800	2430	3380	DN50
TCI 14500	14500	2590	3400	DN50
TCI 16400	16400	2750	3420	DN50

TCC TANK

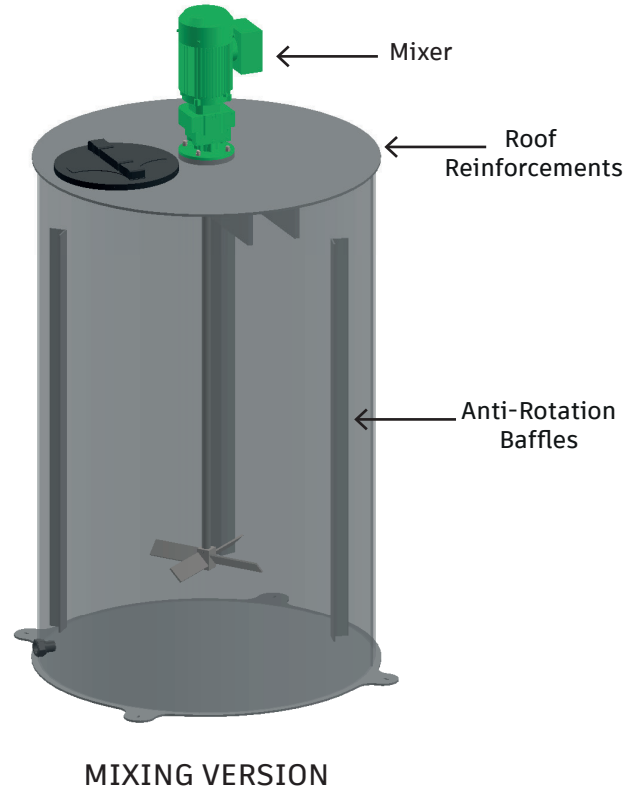
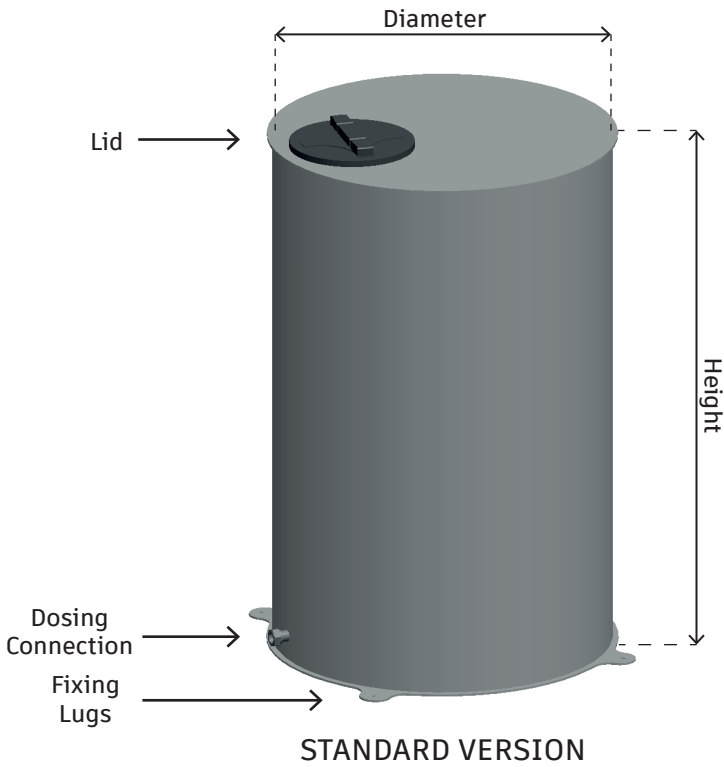


TECHNICAL SPECIFICATION

MODEL	VOLUME [l]	DIAMETER [mm]	HEIGHT [mm]	CONNECTION
TCC 700	700	980	1660	1 1/2"
TCC 1100	1100	1230	1680	1 1/2"
TCC 1700	1700	1300	2190	1 1/2"
TCC 2700	2700	1620	2230	DN50
TCC 3800	3800	1950	2270	DN50
TCC 4800	4800	1950	2270	DN65
TCC 5700	5700	1950	3270	DN65



TPP TANK

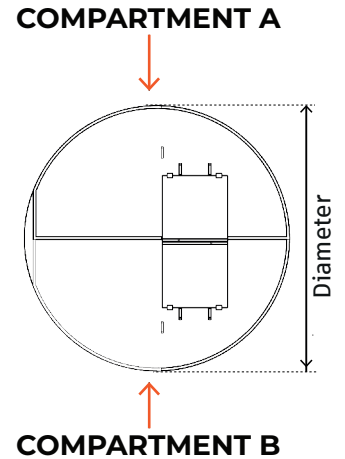
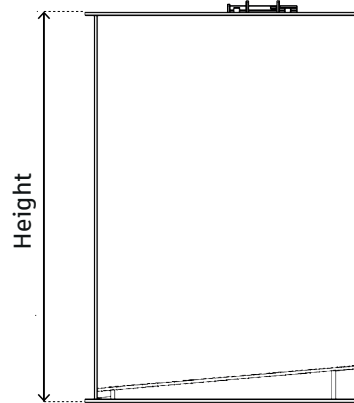


TECHNICAL SPECIFICATION

MODEL	VOLUME [l]	DIAMETER [mm]	TOTAL HEIGHT [mm]	DOSING CONNECTION
TPP 130	130	490	750	3/4"
TPP 320	320	650	1000	3/4"
TPP 600	600	810	1200	1"
TPP 1100	1100	970	1500	1"
TPP 1700	1700	1230	1500	1 1/2"
TPP 2500	2500	1300	2000	1 1/2"
TPP 4000	4000	1620	2000	DN50



TCI DOUBLE TANKS



THECNICAL SPECIFICATION						
MODEL	VOLUME [l]	COMPART- MENT A	COMPART- MENT B	DIAMETER [mm]	HEIGHT [mm]	CONNECTION
TCI 1000	1000	500	500	980	1650	3/4"
TCI 1600	1600	800	800	1230	1700	3/4"
TCI 2300	2300	1150	1150	1300	2200	1"
TCI 3800	3800	1900	1900	1620	2250	1"
TCI 5400	5400	2700	2700	1950	2310	1 1/2"
TCI 6800	6800	3400	3400	1950	2800	1 1/2"
TCI 8200	8200	4100	4100	1950	3300	DN50
TCI 9600	9600	4800	4800	2110	3300	DN50
TCI 12800	12800	6400	6400	2430	3380	DN50
TCI 14500	14500	7250	7250	2590	3400	DN50
TCI 16400	16400	8200	8200	2750	3420	DN50

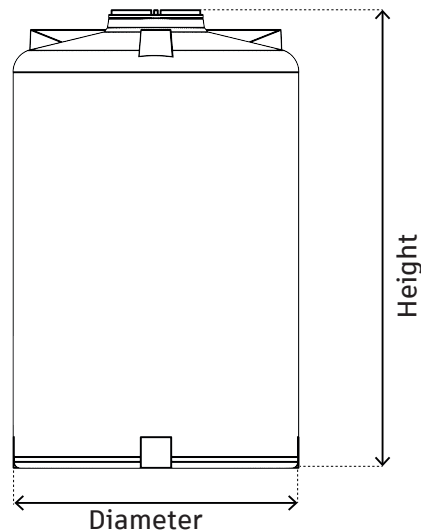
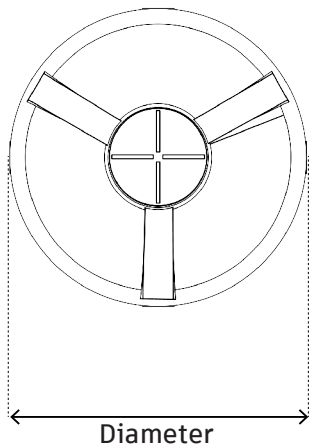
All rights reserved by iSinitzan. Reproduction and distribution of any part of this document is prohibited.



STORAGE TANKS



MODEL	CODE	TECHNICAL SPECIFICATION		
		VOLUME [l]	DIAMETER Ø [mm]	HEIGHT [mm]
120	AC706	120	500	750
220	AC707	220	620	900
325	AC708	325	620	1300
500	AC709	510	740	1350
800	AC710	800	840	1600
1000	AC711	1010	950	1650
1500	AC712	1530	1100	1850
2000	AC713	2040	1200	1950
2500	AC714	2530	1300	2050
3000	AC715	3040	1400	2250
3500	AC716	3530	1300	2700
4500	AC717	4500	1600	2450
5000	AC718	5030	1725	2450
5500	AC719	5560	1600	3000
7000	AC720	6890	2000	2350
9000	AC721	8900	2000	3100
10000	AC722	10400	2500	2500
12000	AC723	11740	2250	3100
17000	AC724	16800	2250	4400
22000	AC725	22200	2500	4800



All rights reserved by iSinitzan. Reproduction and distribution of any part of this document is prohibited.

