

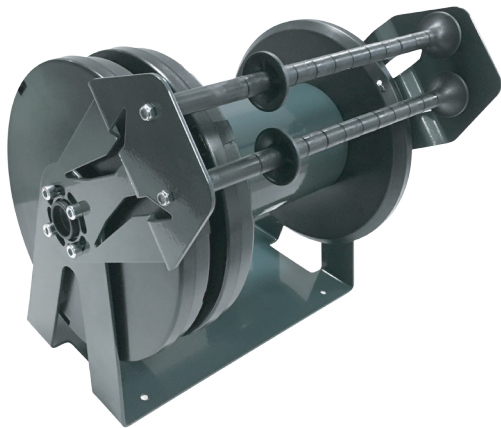
AV HP 15 - AV HP 30

AV HP 15



ITEM	FEATURE	CAPACITY	
		AV HP 15	AV HP 30
1	ADMITTED DIAMETERS	1/4" - 5/16" - 3/8"	
2	HOSE LENGHT IN METERS	Up to 15 mt (3/8")	Up to 30 mt (3/8")
3	WORKING PRESSURE	Up to 200 bar	
4	WORKING TEMPERATURE	40 °C	
5	INLET THREAD SIZE	1/2" M	
6	OUTLET THREAD SIZE	1/4" F	
7	WEIGHT	9 kg	15 kg
8	PACKING SIZE	400x300x400 mm	
9	RAW MATERIAL SIDES AND ROLL	Nylon + Painted Steel	
10	RAW MATERIALS SHAFT AND SWIVEL JOINT	Galvanized Steel	
11	RAW MATERIALS MAIN SPRING	Carbon Steel	
12	CAN BE USED TO TRANSFER	Air Water Chemical	
13	INCLUDED ACCESORIES	Nipple 1/4" and Hose bumper (1/4" or 3/8")	

AV HP 30



FIELDS OF APPLICATION



ACCESSORIES



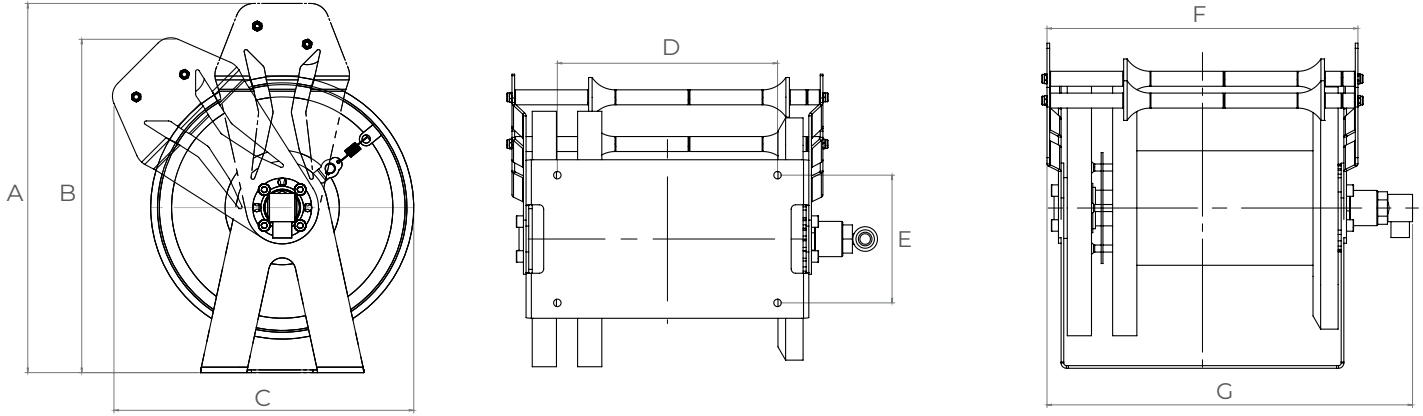
ART. CODE	DESCRIPTION
4908	GALVANIZED NIPPLE 1/4"+1/4"



ART. CODE	DESCRIPTION
4961	SWIVEL JOINT

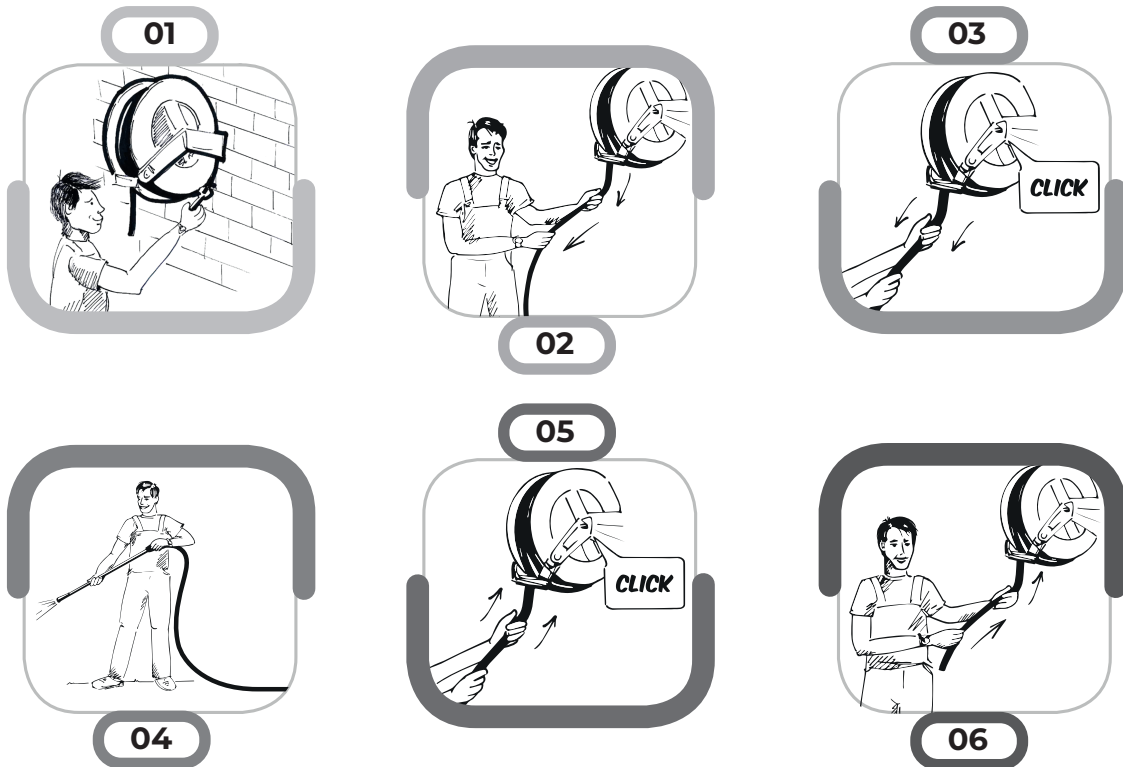


DIMENSIONAL DRAWING



ART. CODE	A	B	C	D	E	F	G
AV HP 15	410 mm	370 mm	330 mm	100 mm	140 mm	206 mm	270 mm
AV HP 30	410 mm	370 mm	330 mm	250 mm	145 mm	355 mm	415 mm

PROPER USE

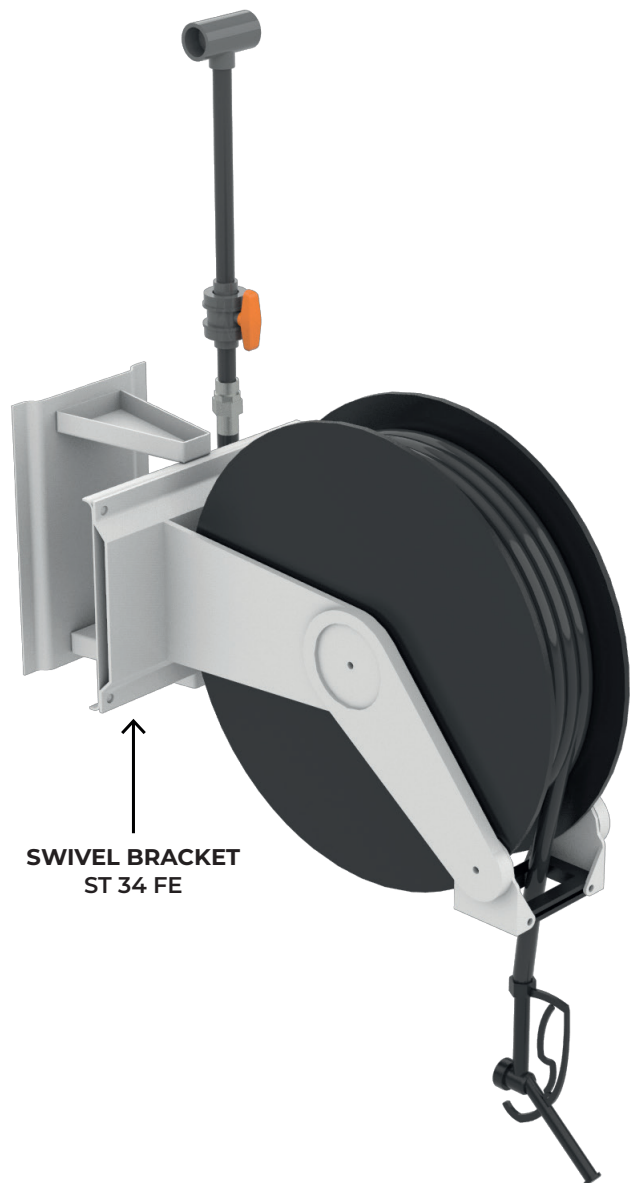


All rights reserved by iSinitzan. Reproduction and distribution of any part of this document is prohibited.



CODE:
HR 3400 FE

HOSE REEL CIP



SWIVEL BRACKET
ST 34 FE

ACCESSORIES



ART. CODE DESCRIPTION
4908 NIPPLE 1/2"



ART. CODE DESCRIPTION
4812 SWIVEL JOINT 1/2"

TECHNICAL SPECIFICATIONS

ITEM	DESCRIPTION	CAPACITY
1	MATERIAL	Powder coating steel
2	DIAMETERS	1/2"
3	MAX HOSE LENGTH	25 mt
4	RATED TEMP	140 °C
5	MAX. WORKING PRESS.	200 bar
6	SWIVEL BRACKET	ST 34 FE

FIELDS OF APPLICATION



GUN - 7401 FOOD



Black colour high resistance plastic water gun with rotating hose tail dia. 20 mm (in plastic).
*With Adjustable jet

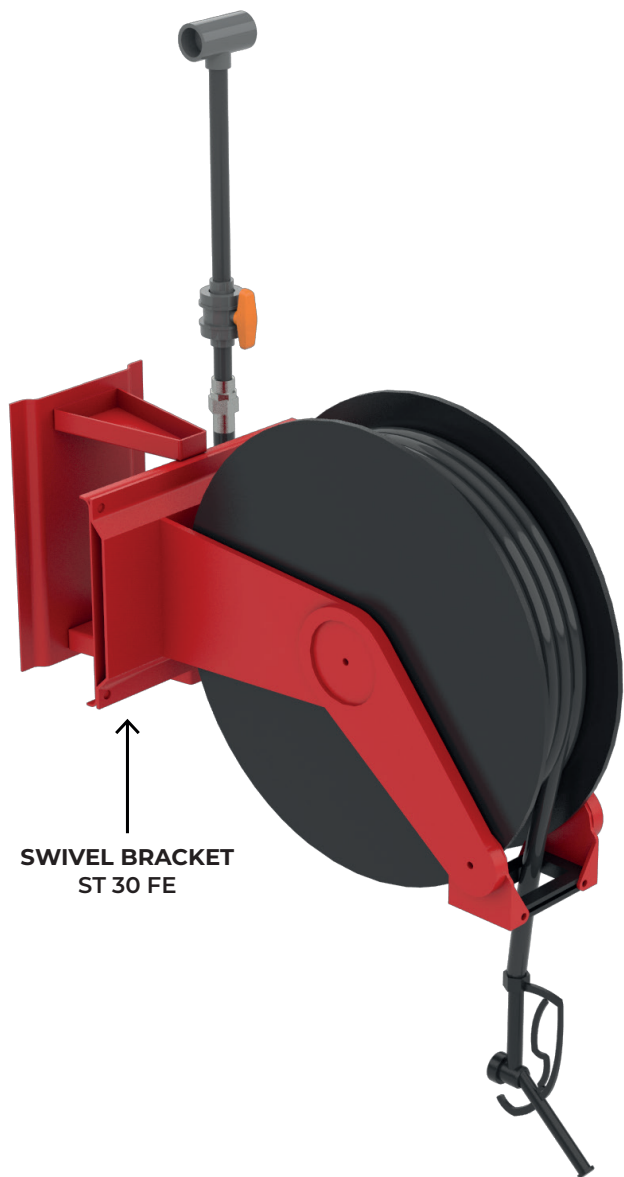
TECHNICAL SPECIFICATIONS

ITEM	DESCRIPTION	CAPACITY
1	TOTAL LENGTH	About 350mm.
2	SEALING	NBR
3	MAX. TEMPERATURE	50 °C
4	MAX. PRESSURE	12 bar
5	INNER PARTS	PP+FG+Galvanized Steel
6	INLET	1/2" (F)



CODE:
HR 3502 AD

HOSE REEL SIP



SWIVEL BRACKET
ST 30 FE

ACCESSORIES



ART. CODE DESCRIPTION
4914 NIPPLE 3/4"



ART. CODE DESCRIPTION
4941 HOSE BUMPER 3/4"

TECHNICAL SPECIFICATIONS		
ITEM	DESCRIPTION	CAPACITY
1	MATERIAL	Powder coating steel
2	DIAMETERS	3/4"
3	MAX HOSE LENGTH	25 mt (3/4")
4	MAX. WORKING PRESS.	20 bar
5	SWIVEL BRACKET	ST 30 FE

FIELDS OF APPLICATION

GUN - 5909



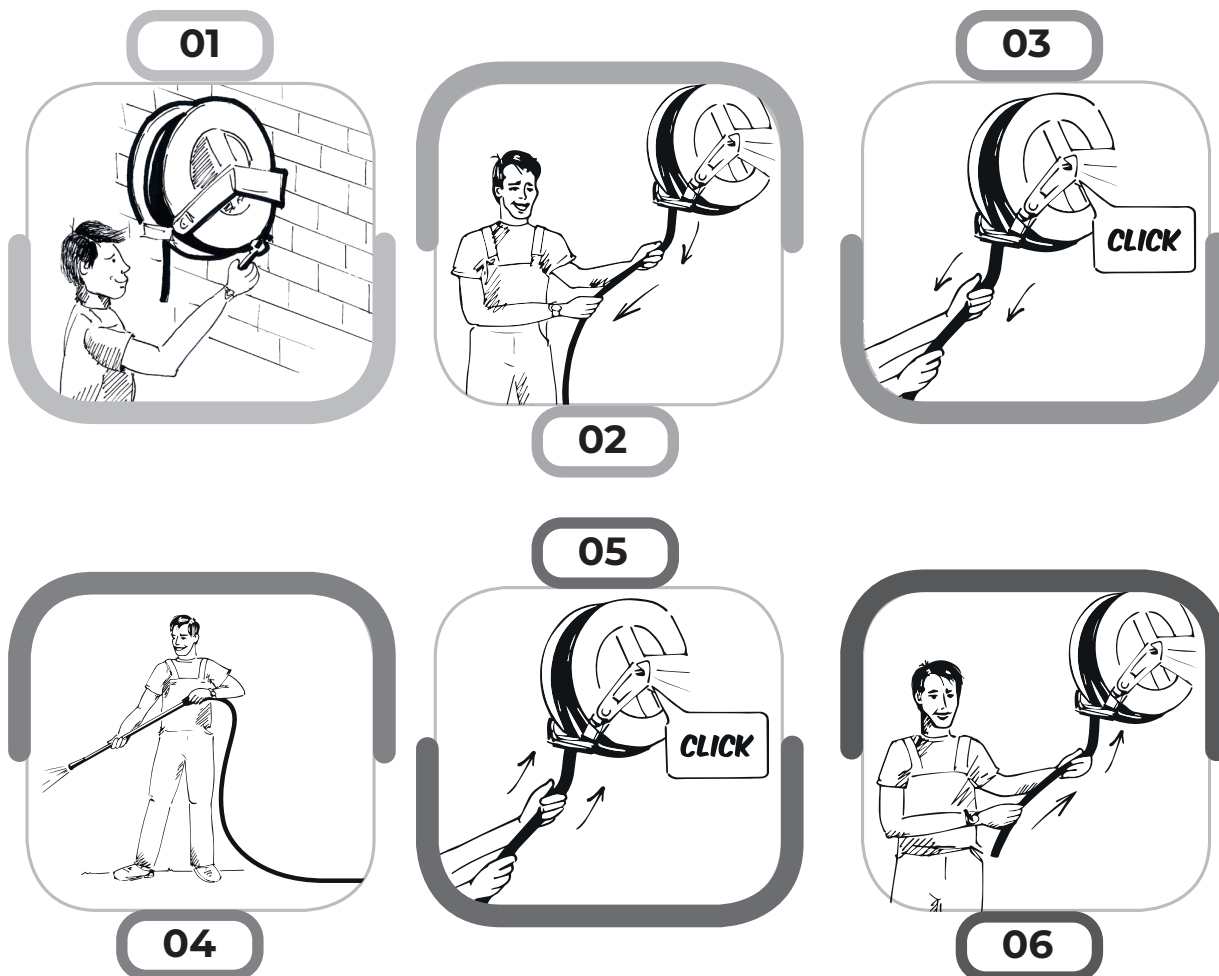
Black colour high resistance plastic water gun with rotating hose tail dia. 20 mm (in plastic).
*With Trigger Lock

TECHNICAL SPECIFICATIONS		
ITEM	DESCRIPTION	CAPACITY
1	TOTAL LENGTH	About 350mm.
2	SEALING	NBR
3	MAX. TEMPERATURE	50 °C
4	FLOW RATE	15 lt/min
5	INNER PARTS	PP+FG+Galvanized Steel
6	OUTLET PIPE DIA.	29 mm

All rights reserved by iSiNitzan. Reproduction and distribution of any part of this document is prohibited.



PROPER USE



INCLUDED ACCESSORIES



ART. CODE	DESCRIPTION
7300	ST/ST LOW PRESSURE GUN SUPPORT



EQUIPMENT	DESCRIPTION
HOSE	HOSE 35 mt.
	HOSE 1,5 mt.

All rights reserved by iSiinitzan. Reproduction and distribution of any part of this document is prohibited.



HOSE FOR AGRICULTURAL SPRAYING

Three layer design, in flexible pvc, with high resistant polyester fiber reinforcement.

APPLICATIONS

ITEM	DESCRIPTION
1	Liquid fertilizer transfer and spreading.
2	Herbicide spraying treatment of fields, paths
3	Insecticide treatment.

ADVANTAGES

The balanced reinforcement of this hose enables it to withstand high pressure with minimal distortion. Thus, it can withstand extended and frequent pressure impulse cycles. Furthermore, the pvc composition eliminates any risk of cracks appearing (particular defect of rubbers), thus improving safety and a long service life withstands prolonged exposure to all climatic conditions.

TECHNICAL SPECIFICATIONS

ITEM	DESCRIPTION	CAPACITY
1	WORKING PRESSURE	20 Bar
2	DIA.	19 x 26,5 mm
3	WEIGHT	337 g / mt.
4	BURST PRESSURE	60 Bar
5	BENDING RADIUS	70 mm.

FITTINGS

- On hose mounted on hose reel in stainless steel F 3/4" GAS/BSP + ferrule on watergun (L=35 mt).
- On hose connection line in stainless steel F 3/4" GAS/BSP + F1" GAS/BSP (L=1.5 mt).

