

PRESSURE SENSOR PN3594



ITEM	FEATURE	CAPACITY
1	OUTPUT SIGNAL (CONFIGURABLE)	Programmable Switch signal Analog signal IO-Link
2	PROCESS CONNECTION	Threaded connection (G 1/4) External thread (DIN EN ISO 1179-2) Internal thread (M5)
3	MEASURING RANGE	1 to 10 [bar] 14,5 to 145 [psi] 100 to 1000 [kPa] 0,1 to 1 [MPa]

FEMALE CORDSET EVC531



ITEM	FEATURE	CAPACITY
1	SPECIAL FEATURE	-Free from silicone. -Halogen - free. -Gold - plated contacts. - Screened cable. -Drag chain suitability.
2	OPERATING VOLTAGE	< 50 VAC / < 60 VDC
3	DIMENSIONS	26,5 x 15,5 x 36,5 [mm]
4	ELECTRICAL CONNECTION	Cable: 10m, PUR, Halogen-free, black, Ø 4,9mm, shielded, 4 x 0,34 mm ² (42 x Ø 0,1 mm)



PRESSURE TRANSMITTER 520.930S433401



ITEM	FEATURE	CAPACITY
1	POWER SUPPLY	7 to 33 VDC
2	PRESSURE RANGE	0 to 10 [bar]
5	OUTPUT SIGNAL	4 to 20 [mA]
6	ELECTRICAL CONNECTION	M12x1 2w: IN=1/OUT=3 3w: IN=1/OUT=4/GND=3
7	PRESSURE CONNECTION	G 1/4 sealed at back DIN EN ISO 1179-2 with profile seal ring in FPM.
3	MATERIAL PRESSURE CONNECTION	Stainless steel 1.4404 / AISI 316L

PRESSURE TRANSMITTER 528.9110031912W



ITEM	FEATURE	CAPACITY
1	POWER SUPPLY	7 to 33 VDC
2	PRESSURE RANGE	0 to 1 [bar]
3	SEALING MATERIAL	FPM
4	APPLICATION	Standard
5	OUTPUT SIGNAL	4 to 20 [mA]
6	ELECTRICAL CONNECTION	DIN EN 175301 - 803 - A
7	PRESSURE CONNECTION	G 1/2 sealed at front

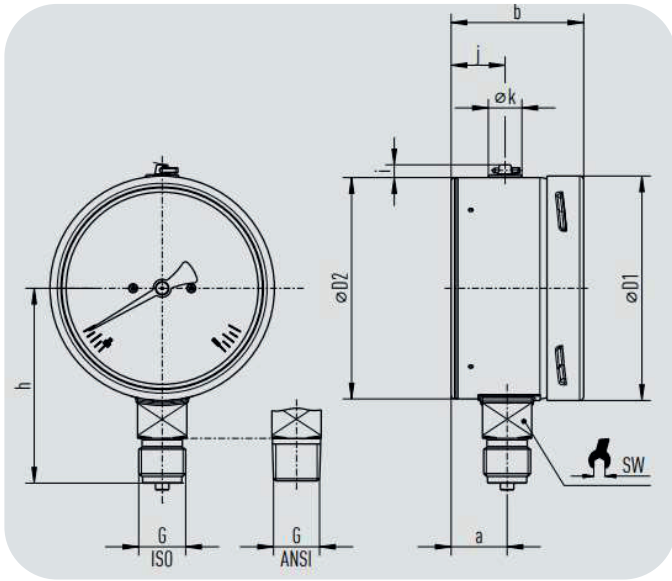


PRESSURE TRANSMITTER MBS 3000



ITEM	FEATURE	CAPACITY									
		MBS3010	MBS3012	MBS3014	MBS3016	MBS3018	MBS3020	MBS3022	MBS3024	MBS3026	MBS3028
1	POWER SUPPLY	9 to 32 VDC									
2	OUTPUT SIGNAL	4 to 20 [mA]									
3	APPLICATION	Standard									
4	MEASURING RANGE	0 to 1 [bar]	0 to 1,6 [bar]	0 to 2,5 [bar]	0 to 4 [bar]	0 to 6 [bar]	0 to 10 [bar]	0 to 16 [bar]	0 to 25 [bar]	0 to 40 [bar]	0 to 60 [bar]





TECHNICAL SPECIFICATION		
ITEM	FEATURE	CAPACITY
1	BODY MATERIAL	Stainless steel 304
2	CONNECTION MATERIAL	Stainless steel 304
3	FRAME RING MATERIAL	Stainless steel 304
4	FILLED	Glycerin

ART.CODE	DIMENSIONS						CAPACITY			
	G	h [mm]	a [mm]	b [mm]	D1 [mm]	D2 [mm]	i [mm]	y [mm]	k [mm]	SW [mm]
SB-60-6bar	1/4"	54	17,5	42	63	62	6	18	15	14
SB-60-10bar	1/4"	54	17,5	42	63	62	6	18	15	14

MANOMETER SS-60-6bar



RANGE		
ITEM	FEATURE	CAPACITY
1	PSI	0 - 90
2	BAR	0 - 6

All rights reserved by iSiNitzan. Reproduction and distribution of any part of this document is prohibited.

iSi-Nitzan GmbH
 Via Cremignone 4C, Sorengo,
 Switzerland, CH 6924
 +(41) 765851837
 info@isii-nitzan.swiss
 www.isii-nitzan.swiss

More Information:



Versión: J2024-1



ITEM	RANGE	
	FEATURE	CAPACITY
1	PSI	0 - 150
2	BAR	0 - 10

