

ELECTRICAL SPECIFICATION

ITEM	DESCRIPTION	CAPACITY
1	POWER SUPPLY*	220 VAC - 380 VAC - 440 VAC / 3P
2	ENERGY	2 kW (200 VAC)

*More options on demand

FLOW SPECIFICATION

ITEM	DESCRIPTION	CAPACITY
1	SERVICE PUMP 01 - ACID	6 m3/h - 4 bar

FILTER SPECIFICATION

ITEM	DESCRIPTION	CAPACITY
1	GRAVEL FILTER - 36" *	4 x 40 m3 - 8 bar

*More options on demand

DOSING CHANNELS

ITEM	DESCRIPTION	CAPACITY
1	NUMBER OF DOSING CHANNELS	1
2	VENTURI	60 - 600 lts/hr.

DOSING PUMP

ITEM	DESCRIPTION	CAPACITY
1	NUMBER OF DOSING PUMP	1
2	DOSING PUMP	15 lts/hr. - 2 bar

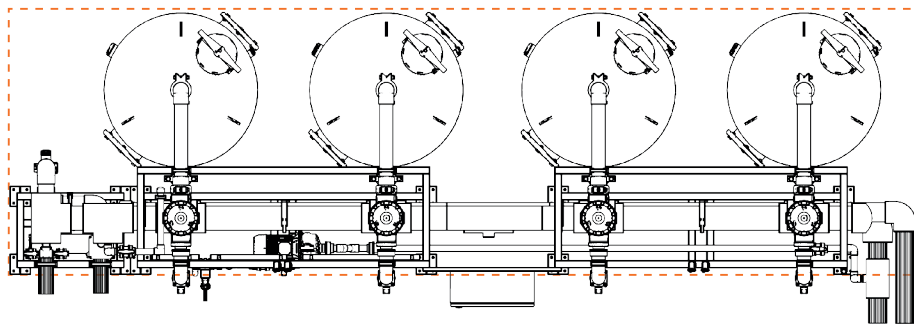
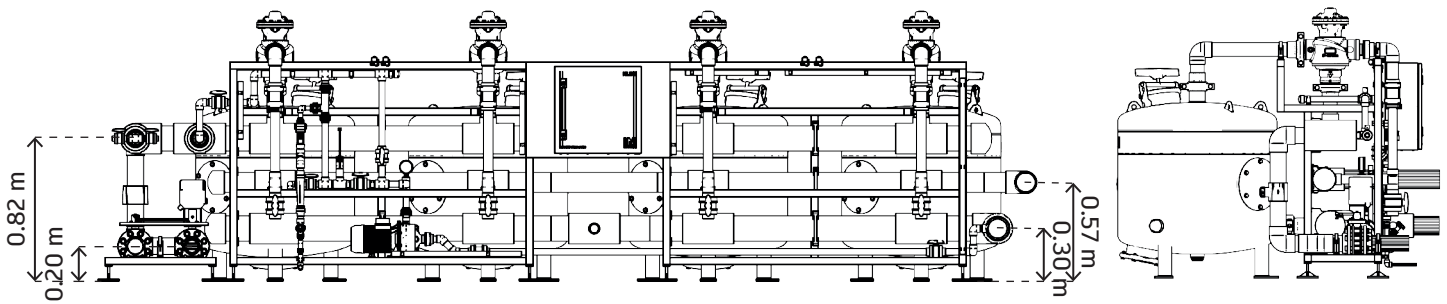
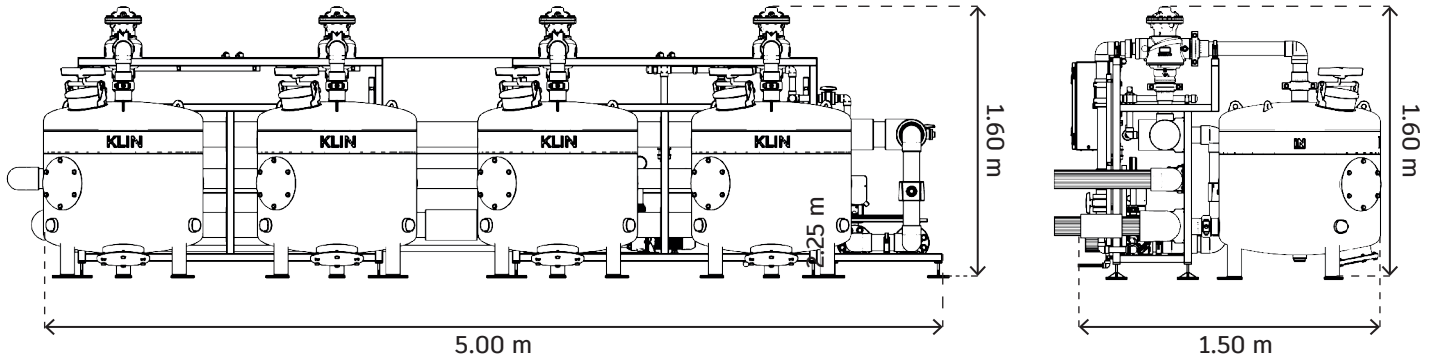
EQUIPMENT DESCRIPTION

ITEM	FEATURES
1	100% operational redundancy.
2	Multimedia filtering for primary water and recycling.
3	Individual dosing channel control and programming.
4	Control and monitoring of pH and EC.*

*Optional use 2 pH/EC sensor.



DIMENSIONS & FOOTPRINT



Footprint: 7.50 m²

DIMENSIONS		
LENGTH	HEIGHT	WIDTH
5,00 m	1,60 m	1,50 m
FOOT PRINT		7,50 m ²

Note:
 - All 3D file drawing (.step, .dwg) are available.
 - The prices shown in the price list are valid from August 2023. They may be modified according to changes in materials and manufacturing accessories.

All rights reserved by iSiiNitzan. Reproduction and distribution of any part of this document is prohibited.

iSii-Nitzan GmbH
 Via Cremignone 4C, Sorengo,
 Switzerland, CH 6924
 +(41) 765851837
 info@isii-nitzan.swiss
 www.isii-nitzan.swiss

More Information:



Versión: J2024-1

FILTER BATTERY CONFIGURATIONS

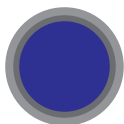
Battery 2 x 40



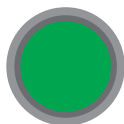
Battery 4 x 40



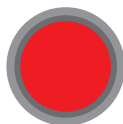
Available Filter Colors:



Blue



Green



Red



White

