

## MODEL P2



### TECHNICAL SPECIFICATIONS (MEASUREMENT)

ITEM	FEATURE	DIGITAL SIGNAL FORMATION AND PROCESSING
1	OPERATING POWER	24VDC, 3 Amps, Continuous 2 Amps
2	MEASURING POWER	15 Mw
3	CONNECTION	Cable to Connection unit, 8 wire shielded. Connectors Aisi316L
4	PROCESS CONNECTION	2" Tri-Clamp Sanitary connection
5	GASKET	EPDM
6	MEASURING RANGE	Factory configured to specific TS or Density range by customer specification
7	REPEATABILITY	+/- 0.01 % Brix
8	SENSITIVITY	+/- -0.001% Brix
9	MEASURING RESOLUTION	0.01% Brix
10	OUTPUT FILTERING	1 - 300s
9	OUTPUT 1	Brix output. 4 - 20 mA, Active and Isolated. Max load 750 Ohm
10	OUTPUT 2	Temperature output. 4 - 20 mA, Active and Isolated. Max load 750 Ohm Alternative: Line Run, Digital Input, 24VDC
11	SIGNAL PROCESSOR	DPS

### TECHNICAL SPECIFICATIONS (PROCESS CONDITIONS)

ITEM	FEATURE	DIGITAL SIGNAL FORMATION AND PROCESSING
1	PH RANGE	24VDC, 3 Amps, Continuous 2 Amps
2	TEMPERATURE	15 Mw
3	PRESSURE	Minimum Recommended min 1.5 bar to avoid free air Maximum PN10
4	CONDUCTIVITY	Max. 13mS/ cm

### TECHNICAL SPECIFICATIONS (ENVIRONMENT)

ITEM	FEATURE	DIGITAL SIGNAL FORMATION AND PROCESSING
1	OPERATING POWER	0 - +70 ; Protection needed in case of direct heat source, Optional cooling unit
2	MEASURING POWER	IP65
3	CONNECTION	max. 20 m/ s2 10-2000Hz

### TECHNICAL SPECIFICATIONS (MATERIALS)

ITEM	FEATURE	DIGITAL SIGNAL FORMATION AND PROCESSING
1	MODEL G2	Sensor body, Aisi 316L. Installation weld ring Aisi 316L
2	HOUSING PARTS	Aluminum, Anonized
3	ANTENNAS	Ceramic
2	WEIGHT & DIMENSIONS	3.6 kg, Total installation length, 298 mm

### PRODUCT DESCRIPTION

ITEM	FEATURE	DESCRIPTION
1	ACCURACY AND DURABILITY	Exceptionally accurate and durable Total Solids Sensors.
2	APPLICATIONS	Food & beverage industries, and industrial slurry applications.
3	MEASURING ALGORITHM	Highly sophisticated measuring algorithm.
4	BENEFITS	Product improvement, cost reduction, waste minimization, and environmental impact reduction.
5	VERSATILITY	Ability to express terms like Concentration, Density, Specific Gravity, or Brix.
6	FOOD & BEVERAGE APPLICATIONS	Brix measurement of sugar juice and Total Solids in syrups, jams, Milk of lime, calcium carbonate, talc, kaolin, and other minerals.
7	INDUSTRIAL APPLICATIONS	Also applicable to inorganic and organic media in the process industry.

### COMMISSIONING DETAILS

ITEM	FEATURE	REMOTE COMMISSIONING	ON-SITE COMMISSIONING
1	NETWORK USED	Wireless cell network or mill network	Not applicable
2	EQUIPMENT	Embedded industrial router	Not applicable
3	FAST AND COST-EFFICIENT	Yes	Not applicable
4	PERSONNEL INVOLVEMENT	Minimal	Full
5	SETUP TIME	Hours	Variable
6	AUTO-CALIBRATION	Yes	Not applicable
7	ONLINE ASSISTANCE	Available	Not applicable
8	AVAILABILITY AND PRICING	Worldwide availability, fixed price	Request a quote

### TECHNICAL SPECIFICATIONS

ITEM	FEATURE	CAPACITY
1	PIPELINE SIZE	50mm, 100mm, 150mm
2	INSTALLATION	Between flanges in pipelines
3	SOLID MEASUREMENT	Concentration, Density, Specific Gravity, Brix
4	MEASURING RANGE	0 - 95 %, Configurable



## MODEL P2

Digital electronics  
all integrated



### MODEL P2 - FLOW THROUGH SENSOR

- Digital Microwave technology.
- Brix / %-Total solids.

#### Measuring Range:

- Range, 0-100%, Brix/Total Solids.
- Factory configured by customer specification.

Quick coupling  
Tri-Clamp

Single sensor cable

Length: 10 m  
Connector ended

Analog out 4-20 mA



Sensor power 24 VDC



### DISPLAY UNIT

- Numeric Brix Display.
- Tablet cable connector.
- Sensor cable connections.
- Mill connections.
- 24VDC,3A Power.
- 4-20mA outputs.



Tablet cable

Tablet

## INSTALLATIONS PARTS

Weld rings  
Tri-Clamp 50



Gaskets

EPDM  
PTFE, Optional

Clamps

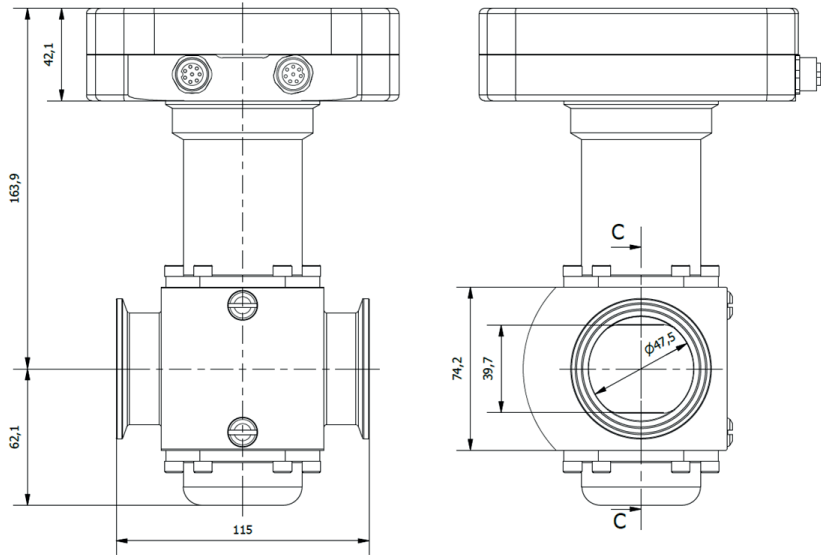
### APPLICATIONS

ITEM	DESCRIPTION
1	Sugar juice
2	Liquid sugar
3	Soft drink dosage
4	Syrup Evaporators
5	Fruit juice
6	Dairy products

## OPRIONAL BOLT FLANGE ADAPTERS

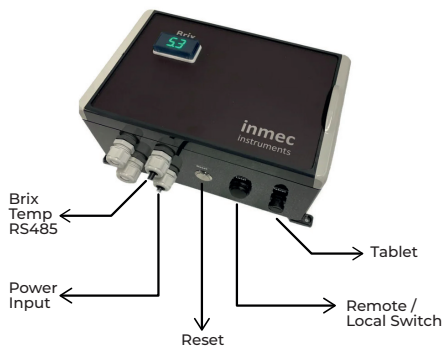


### SENSOR MODEL P2 TC DIMENSIONS, mm



### DISPLAY UNIT

### OPERATING TABLE



MAIN POWER and I/O - Connections	
X1	
13	+ 24 VDC
13	-
14	GND
14	-
15	+ 4-20 mA output Active, BRIX
16	- 4-20 mA output Active, BRIX
17	+ 4-20 mA output Active, TEMP
18	- 4-20 mA output Active, TEMP
19	+ Dig. Input + 24 VDC
20	- Dig. Input GND



TECHNICAL SPECIFICATIONS (DISPLAY UNIT)		
ITEM	FEATURE	CAPACITY
1	DISPLAY	Numeric Brix display
2	POWER SUPPLY	24VDC / 3A
3	MATERIAL AND PROTECTION	ABS Plastic, IP65
4	SENSOR CABLE	10 m
5	CONNECTIONS	Main power 24VDC / 3A - 4-20mA Brix output from the sensor - 4-20mA Temp output from the sensor
6	DIMENSIONS	230 x 170 x 140 mm
7	SWITCH	Remote Enables remote access via Gateway
		Local Disables Remote. Used when Tablet connected.

TECHNICAL SPECIFICATIONS (TABLET)		
ITEM	FEATURE	CAPACITY
1	DISPLAY	8" display, Resolution 800*1280
2	STRUCTURE	Rugged structure
3	OPERATING SYSTEM	Windows 10
4	CELLULAR CONNECTIVITY	Optional
5	BLUETOOTH	BT4.1
6	USB CONNECTION	USB connection to the Sensor Connection unit
7	SOFTWARE	Runs Inmec Operating software
8	AUTOMATIC SENSOR ID DETECTION	Yes
9	SENSOR MANAGEMENT	Manages all Inmec sensors of a mill

All rights reserved by iSinitzan. Reproduction and distribution of any part of this document is prohibited.

