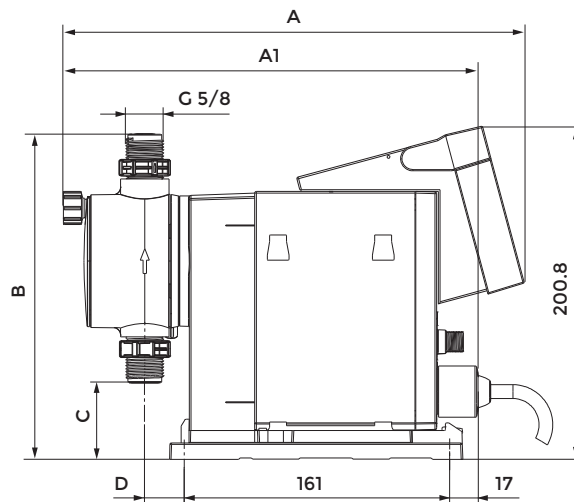
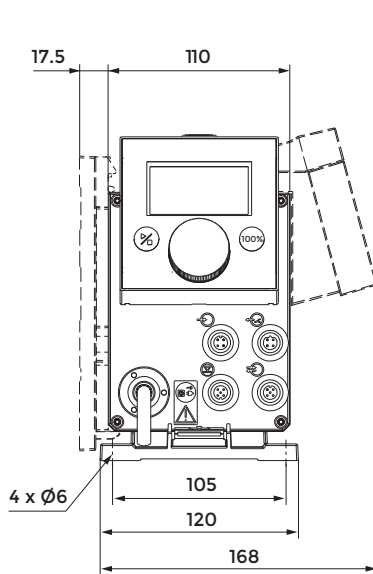


SMART DIGITAL S DDA AND DDC



ITEM TECHNICAL CHARACTERISTICS

- 1 SELECTIVE FAULT DIAGNOSIS, PRESSURE MONITORING
- 2 INTEGRATED FLOW MEASUREMENT AND AUTOFLOW ADAPT
- 3 INTERNAL STROKE-SPEED AND FREQUENCY CONTROL
- 4 AUTO DEAERATION
- 5 E-BOX FOR PROFIBUS, ETHERNET OR MODBUS
- 6 MAX CAPACITY 30 l/h, 16 bar, 45° C (LIQUID TEMPERATURE)
- 7 MANUAL, PULSE, AND 0/4-20 mA CONTROL
- 8 POWER SUPPLY 100-240 V, 50/60 Hz

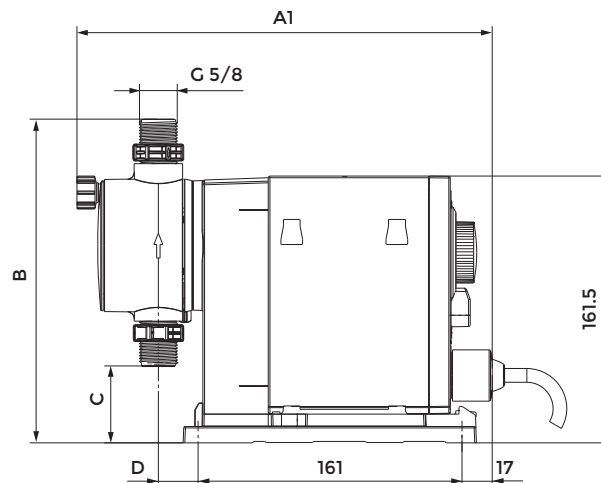
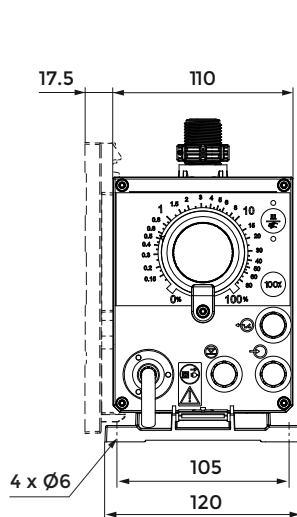


SMART DIGITAL S DDE

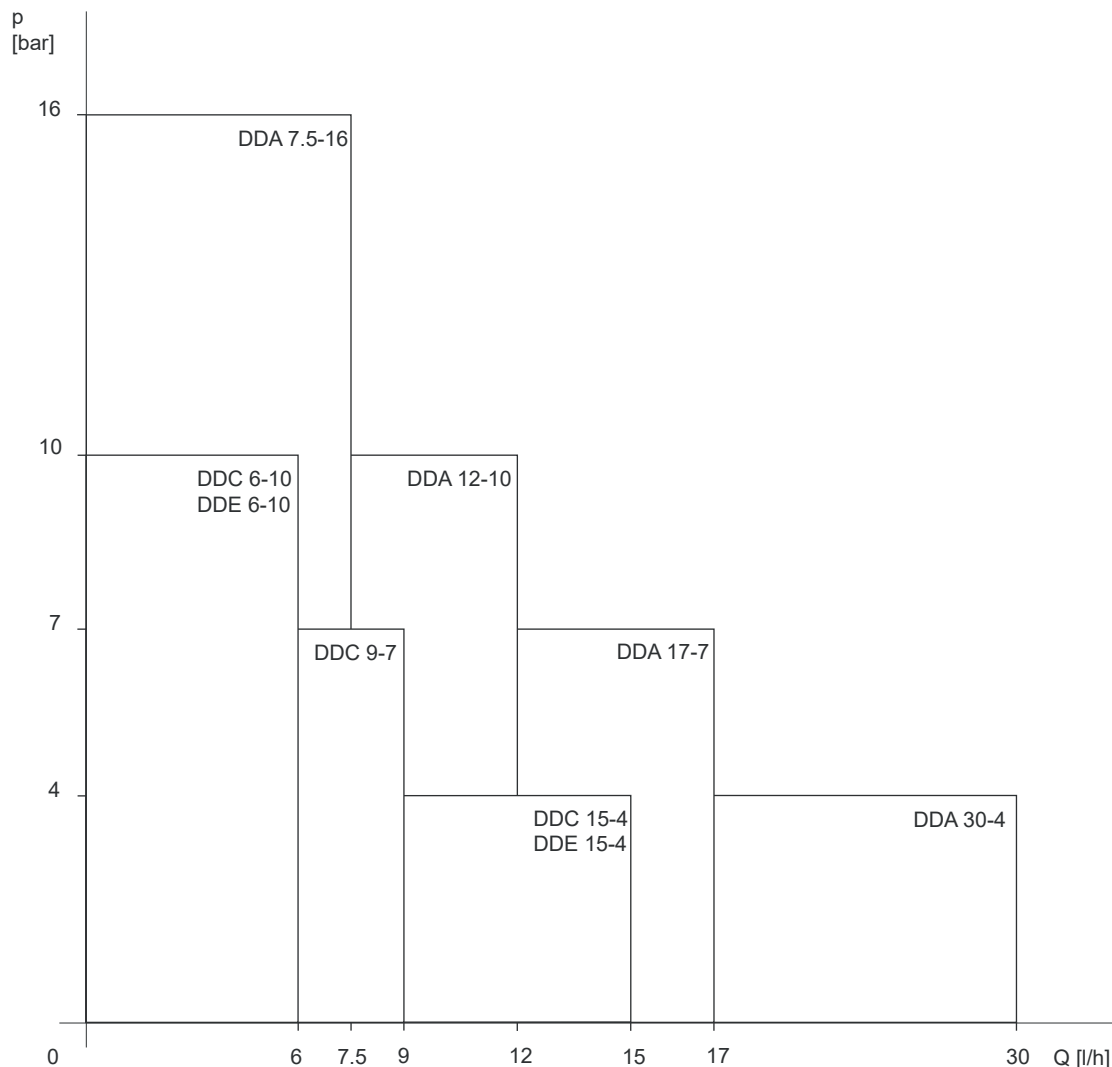


ITEM TECHNICAL CHARACTERISTICS

- 1 SMOOTH CONTINUOUS DOSING
- 2 ONLY TWO MODELS FROM 0.006 TO 15l/h
- 3 INTERNAL STROKE-SPEED AND FREQUENCY CONTROL WITH STEPPER MOTOR
- 4 CAPACITY ADJUSTING KNOB
- 5 FLEXIBLE MOUNTING PLATE
- 6 MANUAL CONTROL (0.1-100%), PULSE CONTROL (1:N)
- 7 MAX CAPACITY 15 l/h, 10 bar, 45°C (LIQUID TEMPERATURE)
- 8 EXTERNAL STOP AND EMPTY TANK INPUT
- 9 POWER SUPPLY 100-240 V, 50/60 Hz



PERFORMANCE RANGE



All rights reserved by iSiiNitzan. Reproduction and distribution of any part of this document is prohibited.

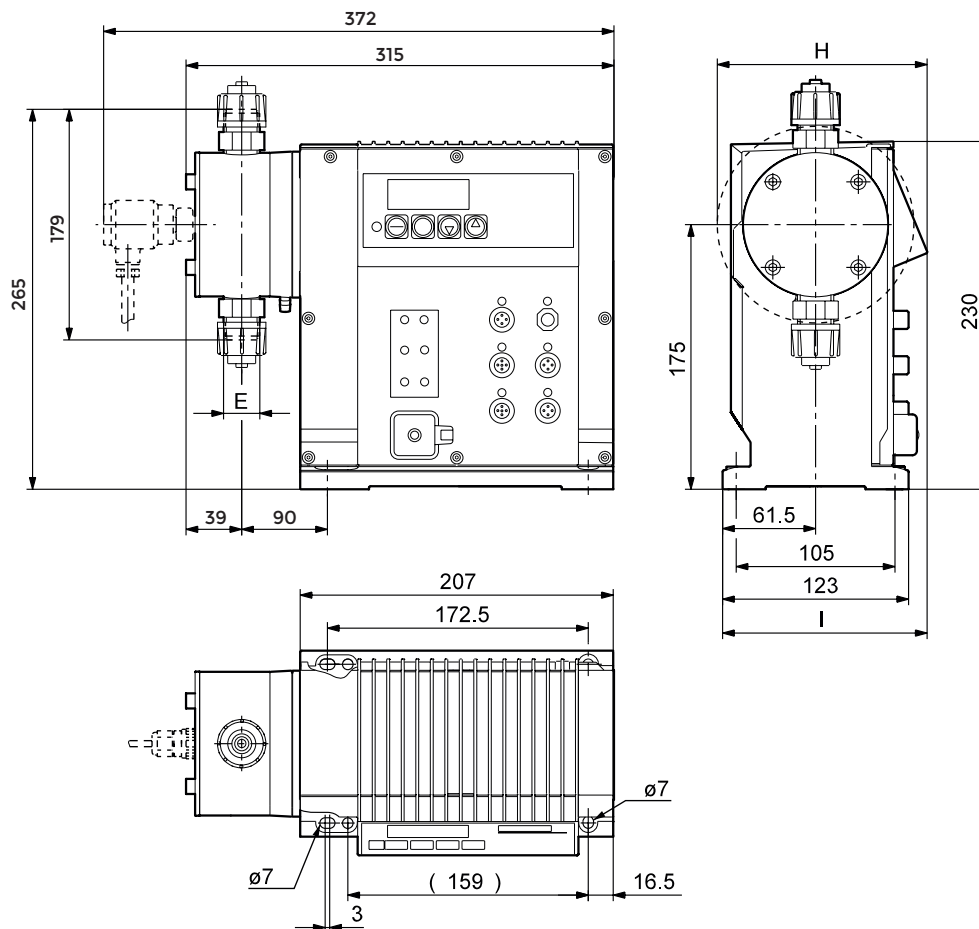


SMART DIGITAL DDI

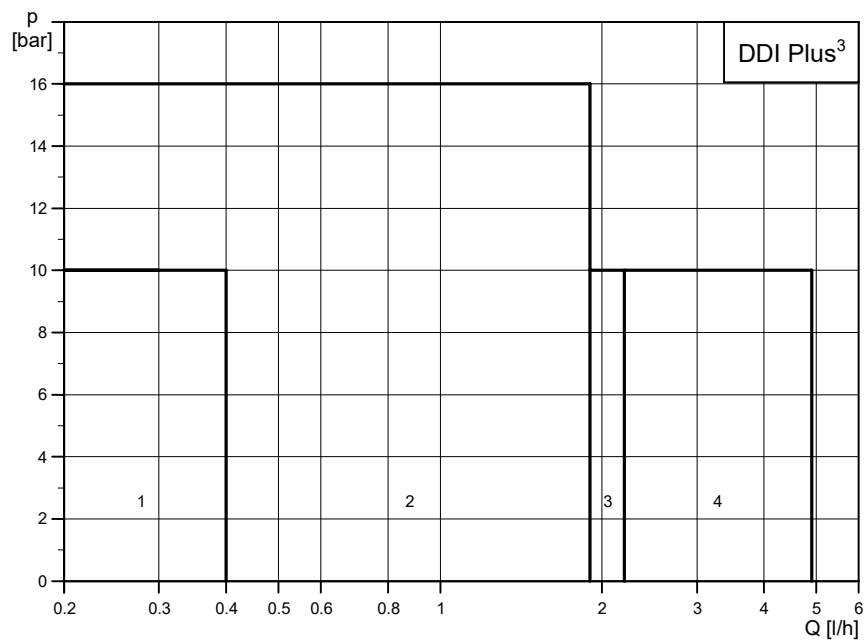
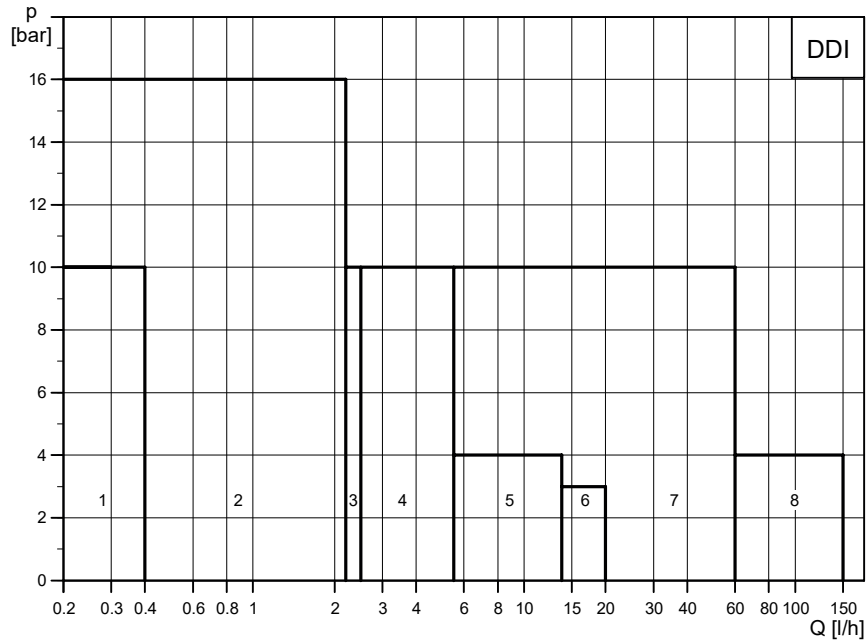


ITEM TECHNICAL CHARACTERISTICS

- 1 ACCURATE DOSING DEMANDS MET WITH USER-FRIENDLY INTERFACE
- 2 SPACE-EFFICIENT UNITS WITH VERSATILE MATERIAL OPTIONS
- 3 POWERFUL STEPPER MOTOR ENSURES SMOOTH DOSING
- 4 ELIMINATES COMPLEX CALCULATIONS, SIMPLIFYING DOSING
- 5 ADJUSTS DOSING SPEED FOR CONSISTENT DELIVERY
- 6 INCLUDES SAFETY FEATURES LIKE OVERLOAD PROTECTION
- 7 ENSURES ACCURATE DOSING EVEN WITH VISCOUS MEDIA
- 8 WORKS WORLDWIDE WITH VOLTAGE RANGE OF 100-240VAC



PERFORMANCE RANGE



All rights reserved by ISiintzan. Reproduction and distribution of any part of this document is prohibited.

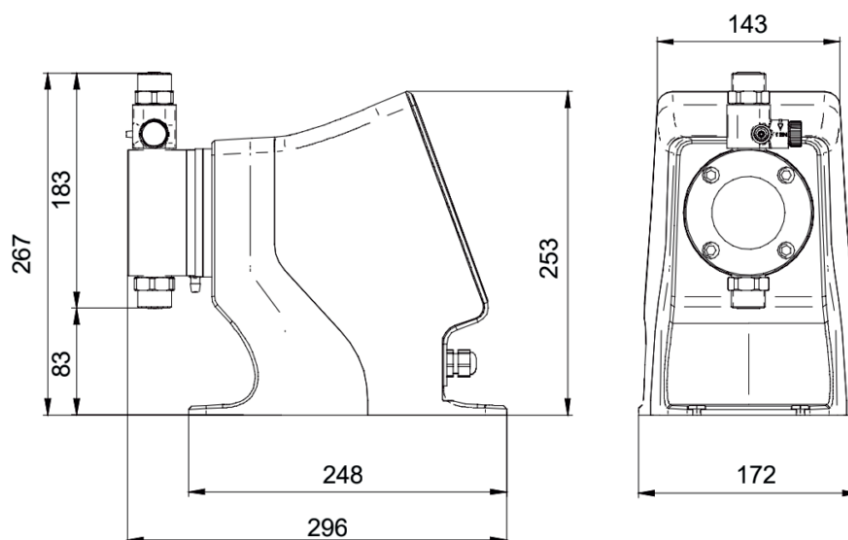


DIAPHRAGM DOSING PUMP

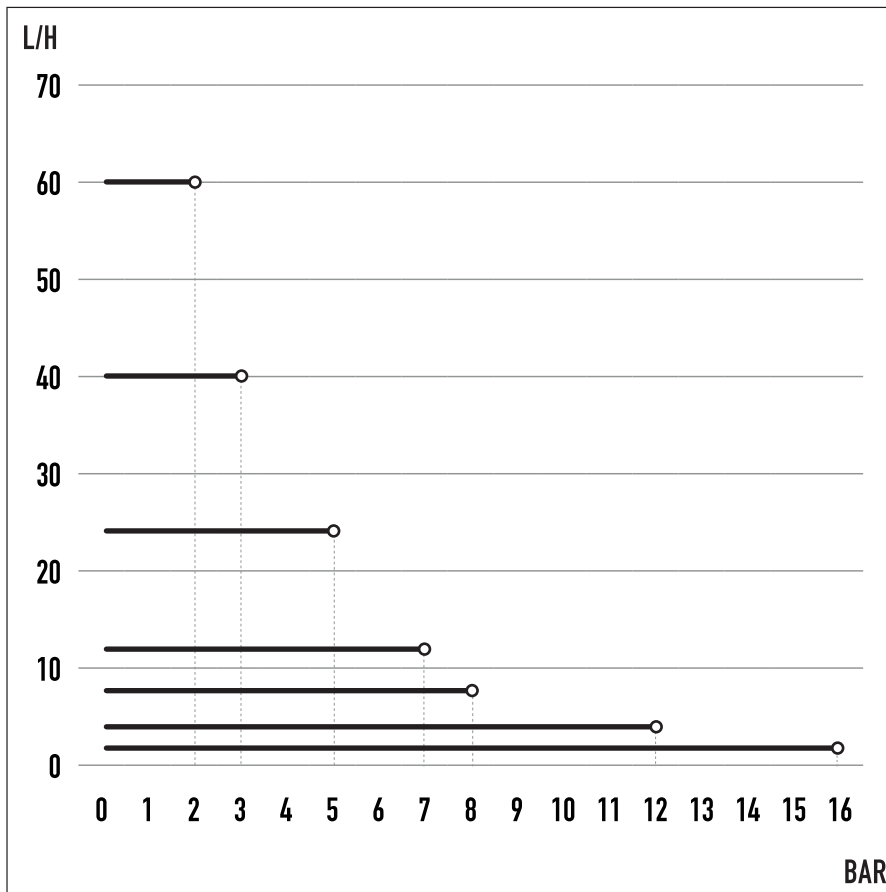


ITEM TECHNICAL CHARACTERISTICS

- 1 ANALOG INPUT 0/4-20mA
- 2 EXTERNAL PULSE INPUT
- 3 LEVEL SENSOR INPUT
- 4 LEAKAGE DETECTOR INPUT
- 5 4-20mA OUTPUT FOR REGISTERING AND MONITORING
- 6 PULSE OUTPUT FOR REGISTERING
- 7 APP AVAILABLE WHICH ALLOWS TO MONITOR AND CONTROL THE UNIT REMOTELY
- 8 ALARM OUTPUT
- 9 LEVEL ALARM OUTPUT



PERFORMANCE RANGE



ART.CODE	FLOW l/h	PRESSURE bar	TURNDOWN RATIO	STROKE	STROKES/min
S50-D50	1.5	16	1:3000	2	50
F50-D50	4	12	1:3000	2	95
F30-D50	8	8	1:3000	2	150
F50-D69	12	7	1:3000	2	85
F30-D69	24	5	1:3000	2	164
F41-D69	40	3	1:3000	4.5	113
F31-D69	60	2	1:3000	4.5	164

All rights reserved by iSiiNitzan. Reproduction and distribution of any part of this document is prohibited.

iSii-Nitzan GmbH
 Via Cremignone 4C, Sorengo,
 Switzerland, CH 6924
 +(41) 765851837
 info@isii-nitzan.swiss
 www.isii-nitzan.swiss

More Information:

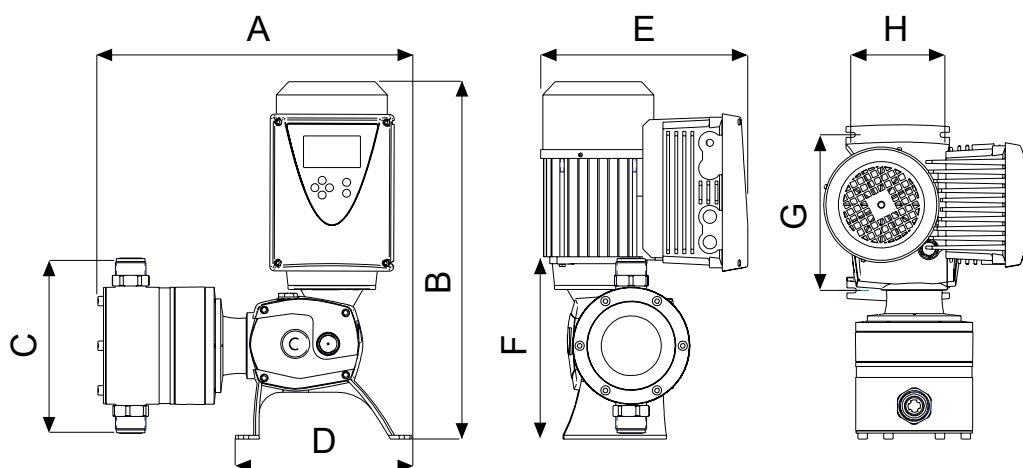


Versión: J2024-1

DOSTEC AC

ITEM THECNICAL CHARACTEISTICS

- 1 ADVANCED DOSING CONTROL FOR AN ACURRATE AND EFFICIENT AUTOMATIC REGULATION
- 2 SEVERAL CONFIGURATION MODES TO BE REMOTELY CONTROLLED
- 3 LOW PULSATION DISCHARGE FUNCTION FOR A CONTINUOUS FLOW
- 4 SLOW SUCTION FUNCTION FOR HIGH VISCOSITY PRODUCTS
- 5 LOW FLOW FUNCTION
- 6 ANALOGUE CONTROL 0/4-20mA
- 7 PROPORTIONAL PULSE CONTROL
- 8 POWER SUPPLY 110/230 V 50/60 Hz



ART.CODE	A	B	C	D	E	F	G	H
AC3	429	490	230	241	285	210	212	122
AC2/1	306	400	154	180	270	150	155	90
D163	395	490	270	241	285	210	212	122
D142	394	490	250	241	285	210	212	122
D115	270	400	204	180	270	150	155	90
D95	270	400	184	180	270	150	155	90
D69	274	400	154	180	270	150	155	90



PERFORMANCE RANGE



STANDAR DOSING GRAPHIC



LOW PULSATION DISCHARGE



SLOW SUCTION



LOW FLOW

ART.CODE	FLOW L/H	PRESSURE BAR
73-AC3D-44-D163-X	1044	5
73-AC3D43-D142-X	498	10
73-AC3D42-D142-X	373	10
73-AC2D43-D115-M	301	5
73-AC2D42-D115-M	251	5
73-AC3D33-D142-X	249	10
73-AC2D43-D95-M	173	8
73-AC2D42-D95-M	144	8
73-AC2D43-D69-M	83	10
73-AC2D42-D69-M	68	10
73-AC2D41-D69-L	38	15
73-AC2D31-D69-L	19	15
73-AC2D21-D69-L	11.4	15
73-AC2D11-D69-L	6.5	15

ART.CODE	FLOW L/H	PRESSURE BAR
73-AC3P44-P110-X	1200	5.5
73-AC3P44-P95-X	900	7.5
73-AC3P44-P77-X	600	11
73-AC2P44-P77-M	600	4.5
73-AC3P43-P77-M	400	12
73-AC2P44-P61-M	360	7
73-AC2P44-P49-M	240	11
73-AC2P44-P34-M	120	15
73-AC2P44-P24-M	60	15
73-AC2P34-P24-L	30	15
73-AC2P33-P24-L	15	15
73-AC2P14-P24-L	10.5	15
73-AC2P13-P24-L	6	15
73-AC2P11-P24-L	3	15

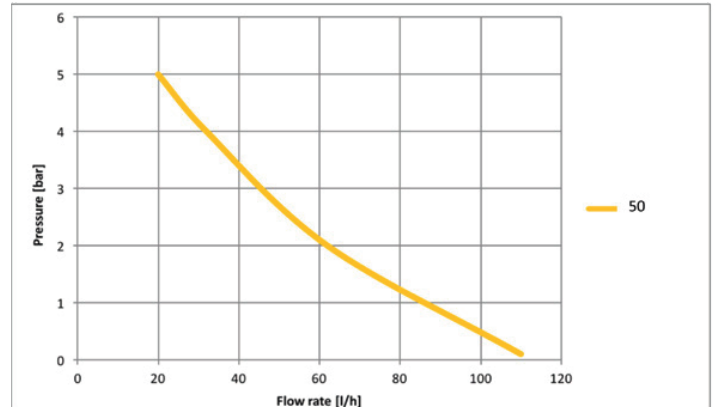
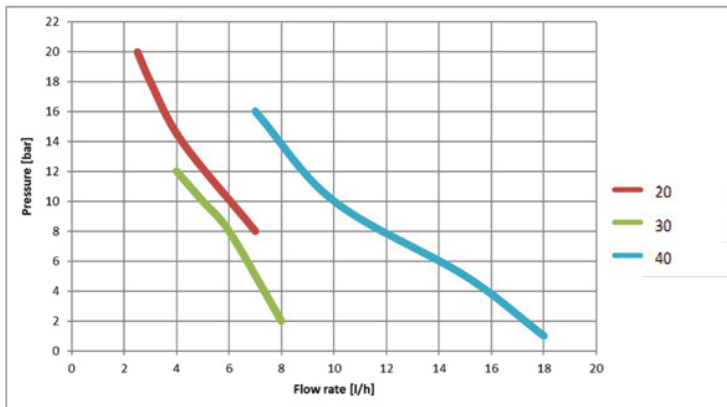
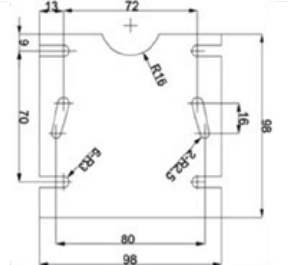
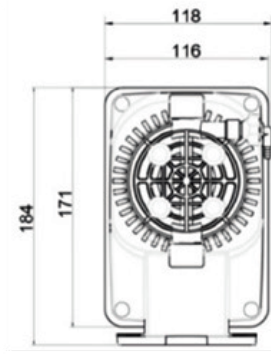
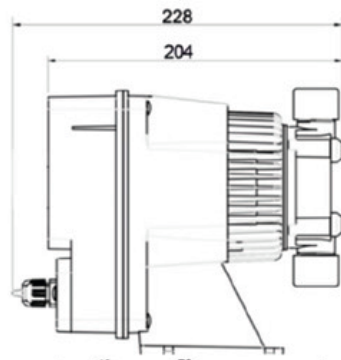
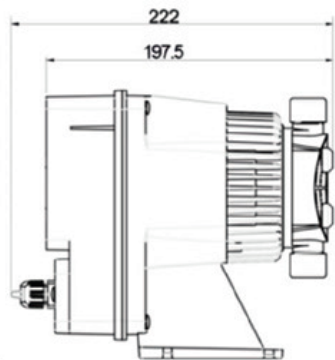


YG SERIES



YG SERIES SPECIFICATION

ITEM	DESCRIPTION	CAPACITY
1	FLOW RATES	2.5 - 110 l/ h
2	MAX. BACKPRESSURE	up to 20 bar
3	POWER SUPPLY	100÷240 Vac - 50/ 60 Hz
4	STROKE RATE	120 - 300 strokes/ minute
5	PUMP HEAD	PVDF
6	DIAPHRAGM	PTFE
7	EXTERNAL ENCLOSURE	PP reinforced with IP65-rated fibreglass



All rights reserved by iSinitzan. Reproduction and distribution of any part of this document is prohibited.

iSii-Nitzan GmbH
 Via Cremignone 4C, Sorengo,
 Switzerland, CH 6924
 +(41) 765851837
 info@isii-nitzan.swiss
 www.isii-nitzan.swiss

More Information:



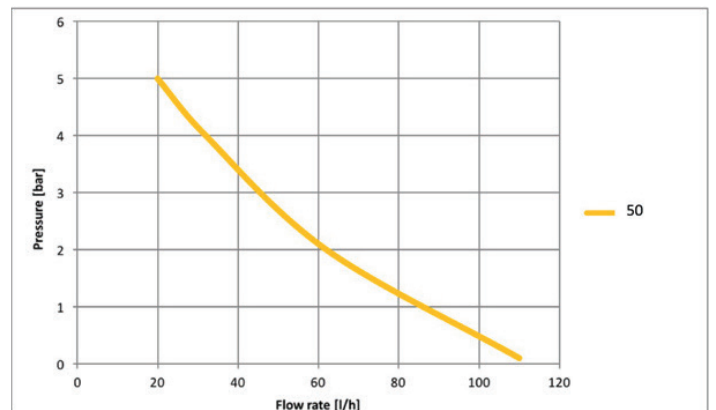
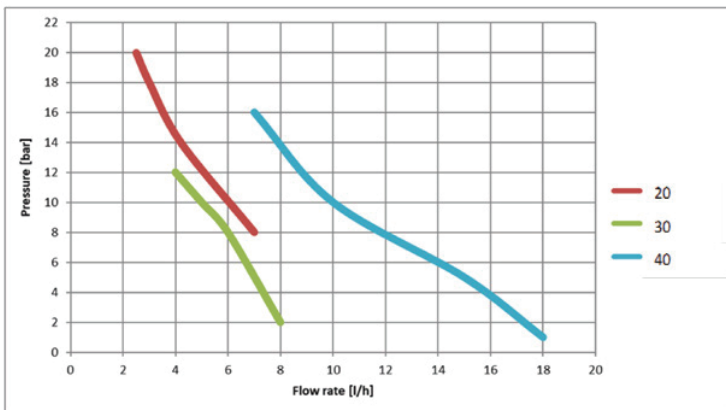
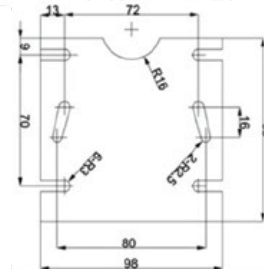
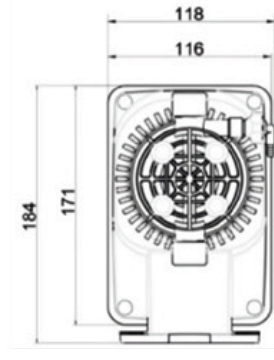
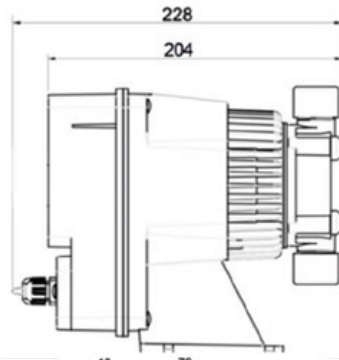
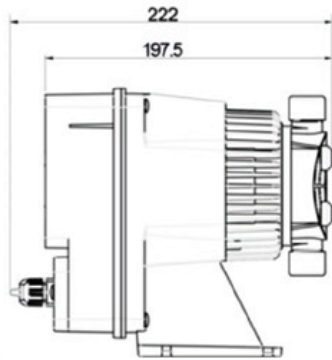
Versión: N2024-1

TG SERIES



TG SERIES SPECIFICATION

ITEM	DESCRIPTION	CAPACITY
1	FLOW RATES	2.5 - 110 l/ h
2	MAX. BACKPRESSURE	up to 20 bar
3	POWER SUPPLY	100÷240 Vac - 50/ 60 Hz
4	STROKE RATE	120 - 300 strokes/ minute
5	PUMP HEAD	PVDF
6	DIAPHRAGM	PTFE
7	EXTERNAL ENCLOSURE	PP reinforced with IP65-rated fibreglass



All rights reserved by iSinitzan. Reproduction and distribution of any part of this document is prohibited.

iSii-Nitzan GmbH
 Via Cremignone 4C, Sorengo,
 Switzerland, CH 6924
 +(41) 765851837
 info@isii-nitzan.swiss
 www.isii-nitzan.swiss

More Information:



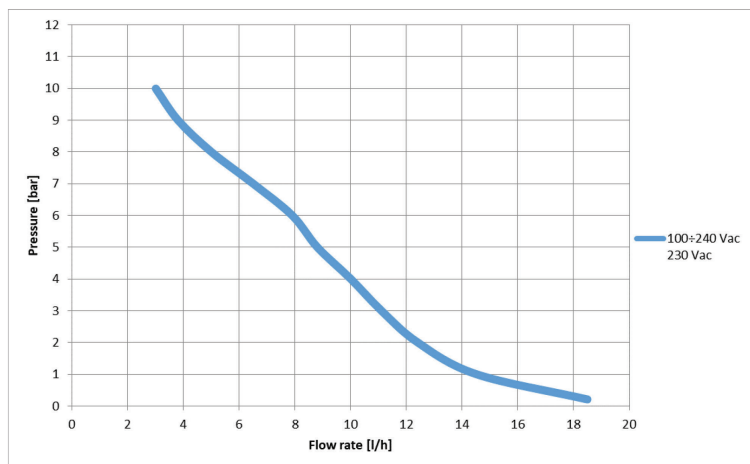
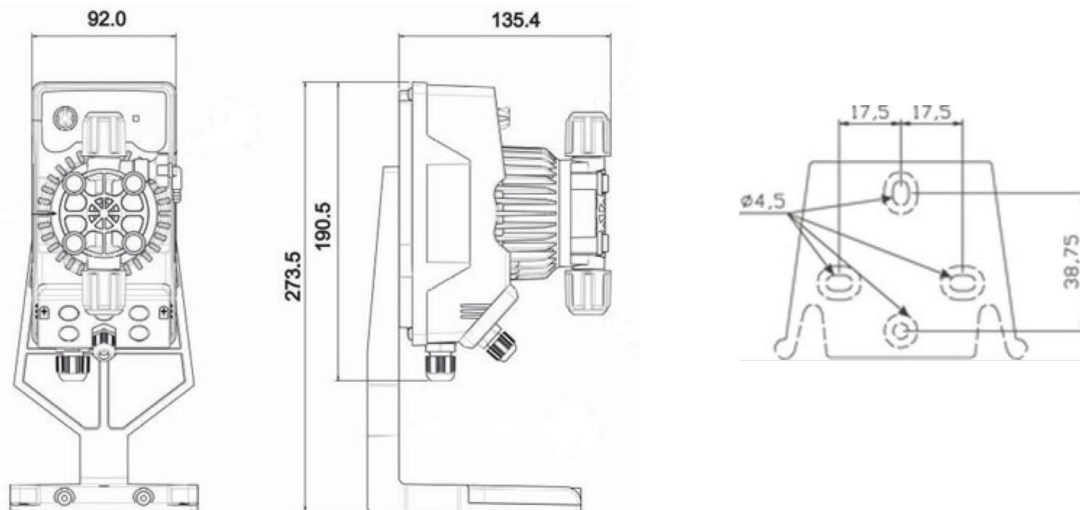
Versión: N2024-1

MG SERIES



MG SERIES SPECIFICATION

ITEM	DESCRIPTION	CAPACITY
1	FLOW RATES	5 l/ h @ 8 bar, 3 l/ h @ 10 bar
2	POWER SUPPLY	100±240 Vac 50/ 60 Hz
3	STROKE RATE	160 strokes/ minute
4	PUMP HEAD	PVDF
5	DIAPHRAGM	PTFE
6	EXTERNAL ENCLOSURE	PP reinforced with IP65-rated fibreglass



All rights reserved by iSiinztan. Reproduction and distribution of any part of this document is prohibited.

iSii-Nitzan GmbH
 Via Cremignone 4C, Sorengo,
 Switzerland, CH 6924
 +(41) 765851837
 info@isii-nitzan.swiss
 www.isii-nitzan.swiss

More Information:



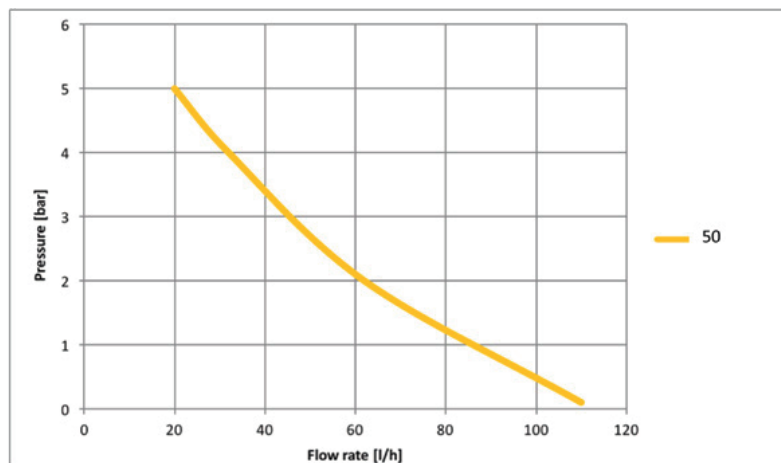
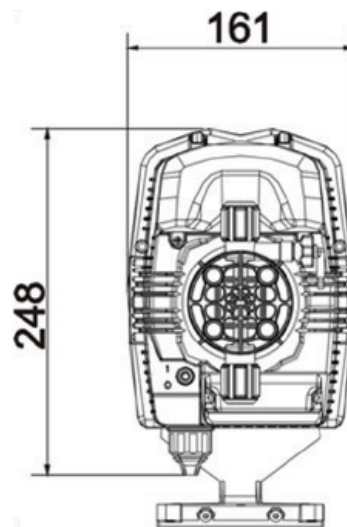
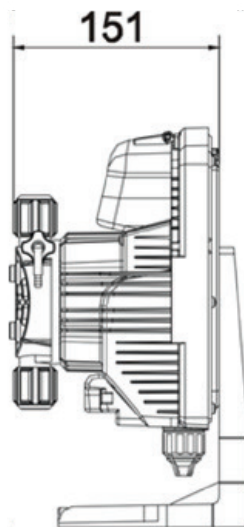
Versión: N2024-1

HG SERIES



HG SERIES SPECIFICATION

ITEM	DESCRIPTION	CAPACITY
1	FLOW RATES	0.4 - 110 l/ h
2	MAX. BACKPRESSURE	up to 20 bar
3	POWER SUPPLY	100÷240 Vac - 50/ 60 Hz
4	STROKE RATE	120 - 300 strokes/ minute
5	PUMP HEAD	PVDF
6	DIAPHRAGM	PTFE
7	EXTERNAL ENCLOSURE	PP reinforced with IP65-rated fibreglass



All rights reserved by iSinitzan. Reproduction and distribution of any part of this document is prohibited.

