

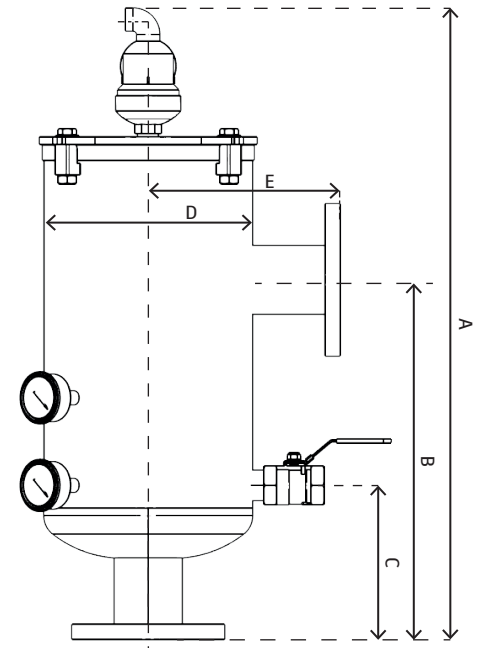
## HNET



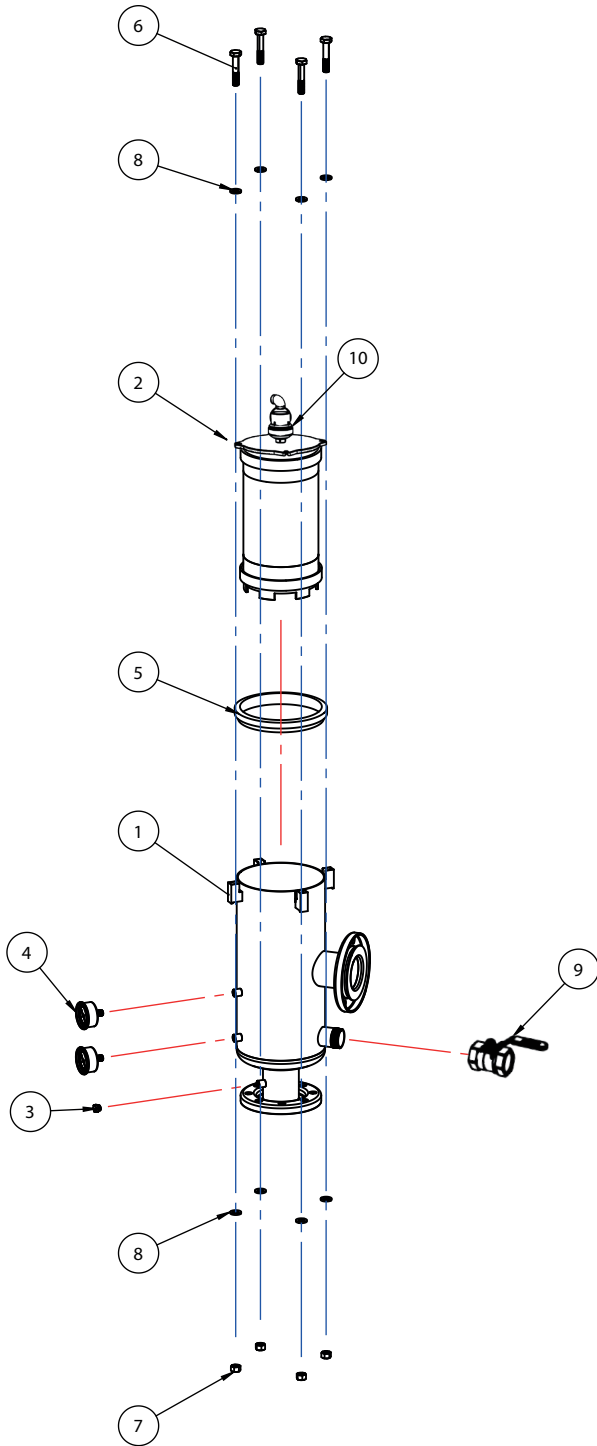
### ITEM TECHNICAL CHARACTERISTICS

- 1 FILTER AREA [cm<sup>3</sup>] 1800, 2700, 3500
- 2 BODY AND COVER INOX AISI304, 316, DUPLEX
- 3 STEEL SUPPORT BASKETO INOX AISI 316
- 4 POLYSTER/ STEEL FILTERING NET INOX AISI 316
- 5 SEALS EPDM
- 6 DRAIN VALVE BALL VALVE
- 7 AIR RELIEF VALVE
- 8 PRESSURE GAUGES AISI 304 GLYCERINE BATH
- 9 TEMPERATURE [°C] MAX 60 MIN 5
- 10 MAXIMUM FLOW RATE [m<sup>3</sup>/h] 40-220
- 11 FILTRATION [µm] 20-800

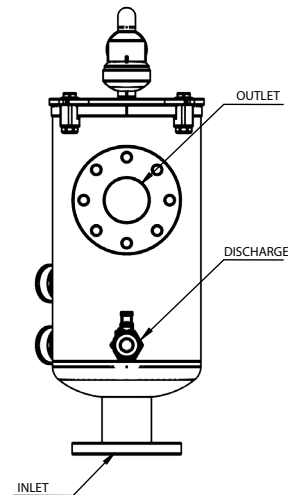
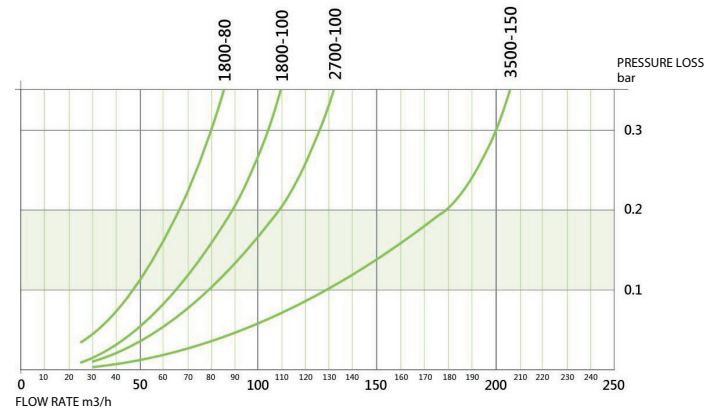
| ART. CODE   | A    | B   | C   | D   | E   | kg | IN/OUT | DRAIN        | FIL. SURFACE | MAX FLOW |
|-------------|------|-----|-----|-----|-----|----|--------|--------------|--------------|----------|
| HNET-1800-2 | 915  | 510 | 205 | 273 | 256 | 30 | 2" VIC | 1" 1/2 BSP F | 1800         | 40       |
| HNET-1800-3 | 915  | 510 | 205 | 273 | 256 | 30 | 3" VIC | 1" 1/2 BSP F | 1800         | 90       |
| HNET-1800-4 | 915  | 510 | 205 | 273 | 256 | 30 | 4" VIC | 1" 1/2 BSP F | 1800         | 110      |
| HNET-2700-4 | 1055 | 510 | 205 | 273 | 256 | 36 | 4" VIC | 1" 1/2 BSP F | 2700         | 130      |
| HNET-2700-5 | 1055 | 510 | 205 | 273 | 256 | 36 | 5" VIC | 1" 1/2 BSP F | 2700         | 160      |
| HNET-2700-6 | 1055 | 510 | 205 | 273 | 256 | 36 | 6" VIC | 1" 1/2 BSP F | 2700         | 200      |
| HNET-3500-4 | 1190 | 510 | 205 | 273 | 256 | 42 | 4" VIC | 1" 1/2 BSP F | 3500         | 150      |
| HNET-3500-5 | 1190 | 510 | 205 | 273 | 256 | 42 | 5" VIC | 1" 1/2 BSP F | 3500         | 180      |
| HNET-3500-6 | 1190 | 510 | 205 | 273 | 256 | 42 | 6" VIC | 1" 1/2 BSP F | 3500         | 220      |



**HNET**



**PRESSURE LOSS VS FLOW RATE**



| ITEM | DENOMINATION                    |
|------|---------------------------------|
| 1    | HOUSING SCREEN FILTER AISI 304  |
| 2    | FILTER SET                      |
| 3    | STANDARD METAL FITTING AISI 304 |
| 4    | HORIZONTAL RADIAL MANOMETER     |
| 5    | HOUSING SEALING GASKET          |
| 6    | FASTENERS HEX BOLT              |
| 7    | FASTENERS HEX NUT               |
| 8    | FASTENERS FLAT WASHER           |
| 9    | METALIC MANUAL VALVE            |
| 10   | AIR RELIEF VALVE                |

